

**Southern States, Inc.**

**Type BP**

POWER FUSE

7.2-69 kV 100-200 AMPS

The Southern States Type BP power fuse is available in voltage ratings from 7.2-69 kV and in continuous current ratings of 100 and 200 amperes. The BP will interrupt up to 934,000 KVA 3-phase symmetrical at 69 kV. It offers both reliability and economy where higher interrupting capacities are not required.

The BP will reliably interrupt fault currents from those just high enough to melt the fusible element to those up to the full rated value of the unit. For a complete description of the operating principle, see Southern States catalog bulletin 900.

Economy is significant at the time of the original installation and at the time of re-fusing. To restore the fuse to service, you replace only the link.

① The fuse holder is positively latched in the fuse mounting when the holder is in the closed position. Only when the fuse link is ruptured or when the sleet hood is raised will the fuse holder swing free. The holder will not open from jarring or vibration.

② A self-locking hinge prevents the fuse holder from jumping out of the mounting when the fuse operates. The holder is positively locked into the fuse mounting until it swings to an inverted position.

③ All fuse tubes are high strength fiberglass.

④ The fuse holder swings to an inverted position when the link is blown. The advantages of this action are:

1. An air gap is provided in the circuit, removing hazards to personnel or equipment from leakage currents flowing over the tube surface.
2. Prevention of charred fuse tubes due to leakage currents.
3. Positive indication of fuse operation.

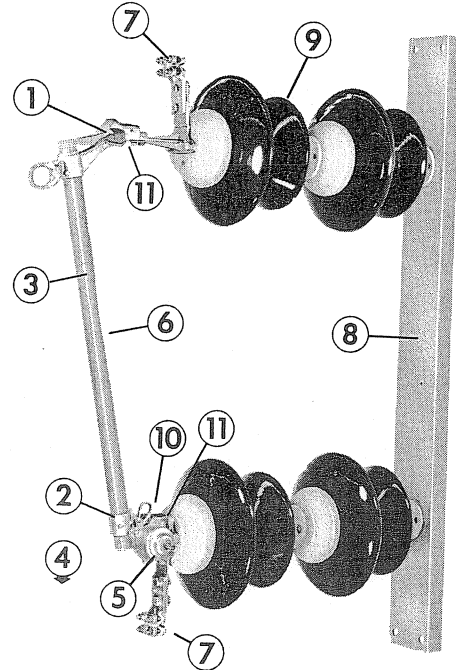
⑤ The snubber brings the opening fuse holder to a cushioned stop, eliminating shock on the holder and lower insulator units.

⑥ Fuses rated 46 kV and above are provided with an electrostatic shield to eliminate the harmful effects produced by corona. The shield, an integral part of the laminated fuse tube, prevents corona damage to the fuse link and fuse tube. See Southern States catalog bulletin 900 for a detailed description of this feature.

⑦ Terminal pads have two 9/16" holes on 1-3/4" centers. Terminal connectors in a wide range of sizes are available as an extra cost option.

⑧ The bases are standard galvanized steel channel. The standard base is supplied with mounting holes punched as shown on page 2.

⑨ Either cap and pin or post type NEMA insulators will be supplied as specified.

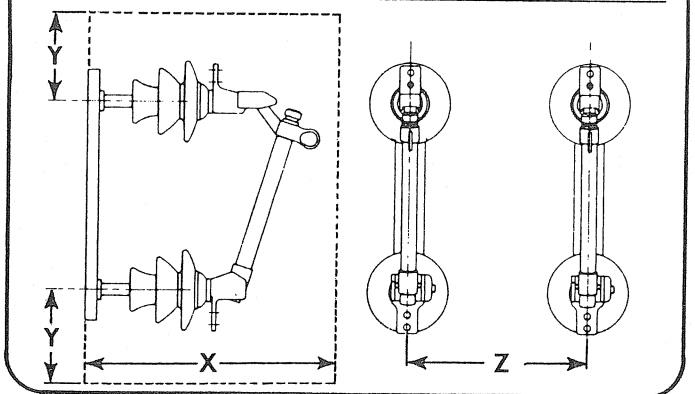


⑩ The fuse holder may be removed or installed with either a Southern States bayonet head hookstick or a conventional hookstick.

⑪ All BP power fuses have silver-to-silver contacts on both hinge and jaw for maximum reliability.

RECOMMENDED MOUNTING CLEARANCE

kV	INCHES			METERS		
	X	Y	Z	X	Y	Z
7.2	40	44	36	1.02	1.12	0.91
14.4	47	46	36	1.19	1.17	0.91
23	56	48	48	1.42	1.22	1.22
34.5	66	51	60	1.68	1.30	1.52
46	78	54	72	1.98	1.37	1.83
69	106	65	84	2.69	1.65	2.13



NOTE: Fuses should not be placed directly under conductors.



Southern States, Inc.

The Quality Name In High Voltage Products

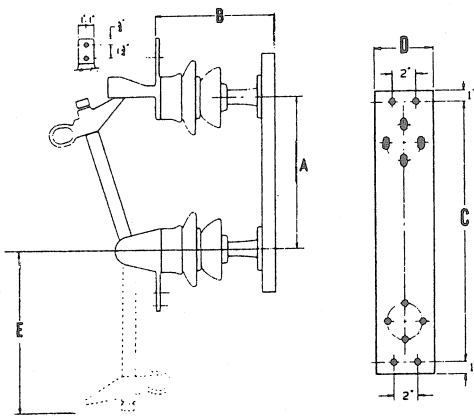
# Type BP

## Specifications and Fuse Kits

RATINGS			CATALOG NUMBERS				Approximate Weights			
Nom. Volt. kV	Max. Design kV	Cont. Current Amps	Interrupting Capacity		Vertical Mounting		Lbs.	kg	Fuse Holder	kg
			RMS Amps* Asymmetrical	KVA** 3Ø Symmetrical	Compl. Fuse Assembly	Fuse Holder Only				
7.2	8.25	100	12,500	101,500	BP75100	BP75100H	48	21.8	6	2.7
7.2	8.25	200	12,500	101,500	BP75200	BP75200H	48	21.8	6	2.7
14.4	15.5	100	12,500	203,000	BP15100	BP15100H	59	26.8	6	2.7
14.4	15.5	200	12,500	203,000	BP15200	BP15200H	59	26.8	6	2.7
23	25.8	100	10,000	249,000	BP23100	BP23100H	86	39.0	6	2.7
23	25.8	200	10,000	249,000	BP23200	BP23200H	86	39.0	6	2.7
34.5	38	100	8,000	297,000	BP34100	BP34100H	109	49.4	6	2.7
34.5	38	200	8,000	297,000	BP34200	BP34200H	109	49.4	6	2.7
46	48.3	100	8,000	398,000	BP46100	BP46100H	153	69.4	6	2.7
46	48.3	200	12,500	622,500	BP46200	BP46200H	153	69.4	6	2.7
69	72.5	100	12,500	934,000	BP69100	BP69100H	238	107.9	8	3.6
69	72.5	200	12,500	934,000	BP69200	BP69200H	238	107.9	8	3.6

\* To select fuse on this basis, multiply system steady state fault current by the appropriate asymmetry factor.

\*\* Values shown are power interrupting ratings expressed on a three phase symmetrical basis assuming nominal system voltage and an asymmetry factor of 1.6. Asymmetry factors vary with system characteristics but do not exceed 1.6.



Standard channel  
7.2 - 69 KV

kV	INCHES				
	A	B	C	D	E
7.2	13	9-5/8	18	4	14-3/4
14.4	15	12-1/8	21	4	16-3/4
23	18	14-1/8	24	4	19-3/4
34.5	24	17-1/4	30	5	25-3/4
46	30	20-1/4	36	5	31-3/4
69	36	32	48	6	37-3/4

kV	METERS				
	A	B	C	D	E
7.2	.330	.244	.457	.102	.375
14.4	.381	.308	.533	.102	.425
23	.457	.359	.610	.102	.502
34.5	.610	.438	.762	.127	.764
46	.762	.514	.915	.127	.807
69	.915	.813	1.220	.152	.959

The fuse kits listed here were specifically designed for Southern States power fuses, and no other links can be used in the Type BP. Time-current characteristic curves are available upon request.

Please give the complete catalog number by preceding the catalog number with the fuse kit type (speed ratio). For example: to order a 69 kV, 75 amp PF link, look under the 69 kV column across from the 75 amp rating. The code number is 69075. Prefix this number with PF, and your correct catalog number is PF69075.

Fuse Kit Types Available in Amp Ratings Shown				CATALOG CODE NUMBERS					
PF	PM	PX	PE	7.2 kV	14.4 kV	23 kV	34.5 kV	46 kV	69 kV
			1	75001	15001	23001	34001	46001	69001
	2		2	75002	15002	23002	34002	46002	69002
	3	3	3	75003	15003	23003	34003	46003	69003
	5	5	5	75005	15005	23005	34005	46005	69005
			7	75007	15007	23007	34007	46007	69007
		8	8	75008	15008	23008	34008	46008	69008
10	10	10	10	75010	15010	23010	34010	46010	69010
	12.5	12.5		75012.5	15012.5	23012.5	34012.5	46012.5	69012.5
15	15	15	15	75015	15015	23015	34015	46015	69015
20	20	20	20	75020	15020	23020	34020	46020	69020
	25	25	25	75025	15025	23025	34025	46025	69025
30	30	30	30	75030	15030	23030	34030	46030	69030
40	40	40	40	75040	15040	23040	34040	46040	69040
50	50	50	50	75050	15050	23050	34050	46050	69050
60	60	60		75060	15060	23060	34060	46060	69060
			65	75065	15065	23065	34065	46065	69065
	75	75		75075	15075	23075	34075	46075	69075
			80	75080	15080	23080	34080	46080	69080
100	100	100	100	75100	15100	23100	34100	46100	69100
125	125	125	125	75125	15125	23125	34125	46125	69125
200	200	200	200	75200	15200	23200	34200	46200	69200

Southern States